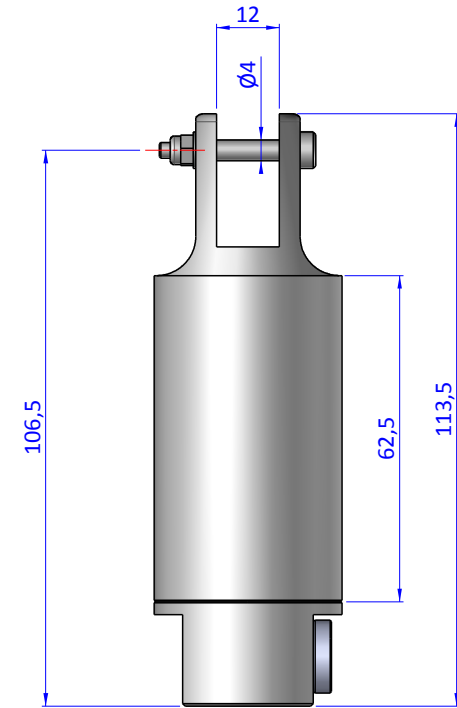
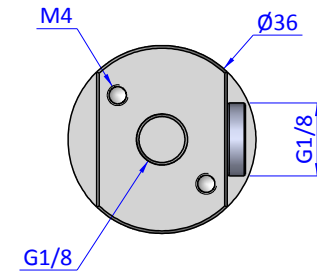
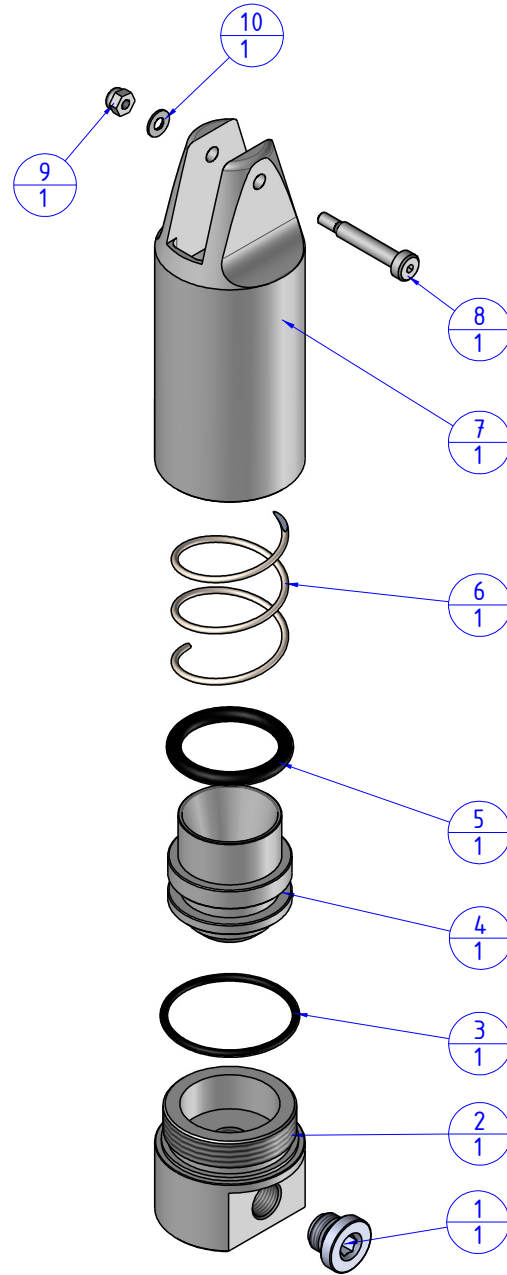



THE PROPERTY OF THE DRAWING IS ESTABLISHED BY LAW. IT IS FORBIDDEN TO PRODUCE OR SHOW IT TO THIRD PARTY, WITHOUT A WRITTEN AGREEMENT.

Item	Name	Q.ty
1	CA.08.14.014	1
2	10.01.008.2	1
3	OR.2118	1
4	10.01.008.3	1
5	OR.4093	1
6	M.28x58.24N	1
7	10.01.008.1	1
8	V.UMB.04.20.M3	1
9	D.3AUT	1
10	R.3	1



Format A3

UNI 936-76

 FPS SERVICES AUTOMATION		DESIGNED FROM		REVIEW
		FPS Automation		A
GENERAL TOLERANCE		DATE	WEIGHT	
UNI - ISO 2768		15/05/2019	0,148kg	
CLASSE f		CODE		
		CA.ATE.10M		CA.ATE.10M